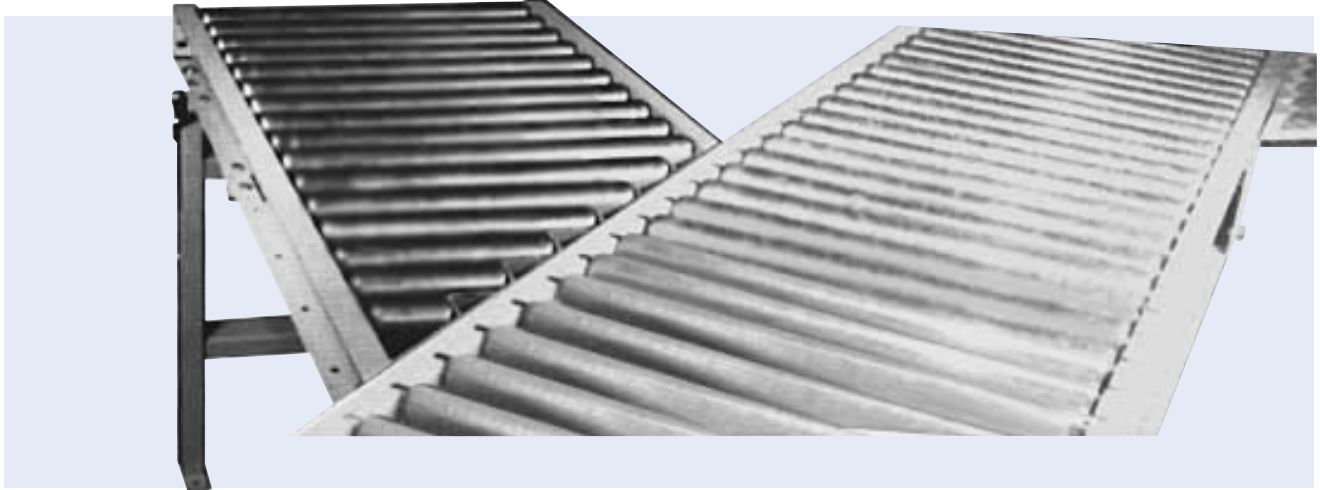


MODEL "190SRS, 190HSRS, and 20SRS" Gravity Roller Spur Conveyor



SPECIFICATIONS

Spurs - 30°, 45° and 90° models available

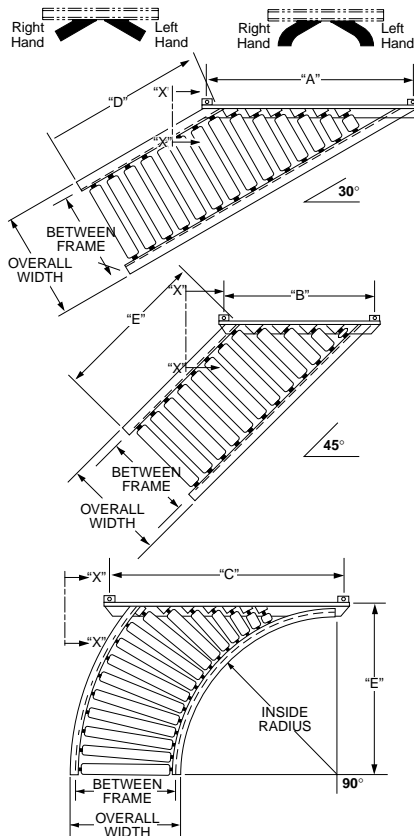
Right or left hand units

Couplings - Butt couplings one end

12" Width

Set high or low - set high is standard

Rollers - 1.9" diameter x 16 gauge
unplated or galvanized steel; 2" diameter
x 12 gauge unplated



NOTE: Same per foot capacities as straight sections shown on pages 76 and 77.

Between Rail Width	Nominal Roller Length	30° SPUR:				Weights (lbs.)					
		Model No.			"A"	"D"			"D"		
		1.9" Roller	1.9" Roller	2" Roller		1.9" Roller			2" Roller		
13"	12"	190SRS-13-30	190HSRS-13-30	20SRS-13-30	42"	56	73	107	68	89	131
15"	14"	190SRS-15-30	190HSRS-15-30	20SRS-15-30	42"	59	77	113	74	97	143
17"	16"	190SRS-17-30	190HSRS-17-30	20SRS-17-30	42"	62	81	119	77	101	149
19"	18"	190SRS-19-30	190HSRS-19-30	20SRS-19-30	54"	65	85	125	83	109	161
21"	20"	190SRS-21-30	190HSRS-21-30	20SRS-21-30	54"	71	93	137	89	117	173
23"	22"	190SRS-23-30	190HSRS-23-30	20SRS-23-30	54"	74	97	143	95	125	185
25"	24"	190SRS-25-30	190HSRS-25-30	20SRS-25-30	66"	77	101	149	101	133	197
27"	26"	190SRS-27-30	190HSRS-27-30	20SRS-27-30	66"	80	105	155	107	141	209
31"	30"	190SRS-31-30	190HSRS-31-30	20SRS-31-30	78"	89	117	173	119	157	223
33"	32"	190SRS-33-30	190HSRS-33-30	20SRS-33-30	78"	92	121	179	131	173	257
37"	36"	190SRS-37-30	190HSRS-37-30	20SRS-37-30	87"	95	125	185	134	177	263
39"	38"	190SRS-39-30	190HSRS-39-30	20SRS-39-30	87"	104	137	203	139	180	275
		45° SPUR:				"B"					
13"	12"	190SRS-13-45	190HSRS-13-45	20SRS-13-45	33"	51	67	100	63	83	124
15"	14"	190SRS-15-45	190HSRS-15-45	20SRS-15-45	33"	54	71	112	72	95	142
17"	16"	190SRS-17-45	190HSRS-17-45	20SRS-17-45	33"	58	75	112	72	95	142
19"	18"	190SRS-19-45	190HSRS-19-45	20SRS-19-45	42"	60	79	119	78	103	154
21"	20"	190SRS-21-45	190HSRS-21-45	20SRS-21-45	42"	66	88	130	84	111	166
23"	22"	190SRS-23-45	190HSRS-23-45	20SRS-23-45	42"	69	91	136	90	119	179
25"	24"	190SRS-25-45	190HSRS-25-45	20SRS-25-45	48"	72	95	142	96	127	190
27"	26"	190SRS-27-45	190HSRS-27-45	20SRS-27-45	48"	75	99	148	102	135	202
31"	30"	190SRS-31-45	190HSRS-31-45	20SRS-31-45	54"	84	111	166	114	151	216
33"	32"	190SRS-33-45	190HSRS-33-45	20SRS-33-45	54"	84	115	172	126	166	250
37"	36"	190SRS-37-45	190HSRS-37-45	20SRS-37-45	66"	90	119	178	129	171	256
39"	38"	190SRS-39-45	190HSRS-39-45	20SRS-39-45	66"	99	131	196	134	174	269
		90° SPUR:				"C"	"E"	Inside Radius	Weights (lbs.)		
Between Rail Width	Nominal Roller Length	Model No.									
S R I O N L E R	13"	12"	190SRS-13-90	190HSRS-13-90	20SRS-13-90	42"	33"	32 1/2"	92		
	15"	14"	190SRS-15-90	190HSRS-15-90	20SRS-15-90	42"			100		
	17"	16"	190SRS-17-90	190HSRS-17-90	20SRS-17-90	48"			109		
	19"	18"	190SRS-19-90	190HSRS-19-90	20SRS-19-90	48"			117		
	21"	20"	190SRS-21-90	190HSRS-21-90	20SRS-21-90	48"			126		
D O U B L E	23"	22"	190SRS-23-90	190HSRS-23-90	20SRS-23-90	54"	156				
	25"	24"	190SRS-25-90	190HSRS-25-90	20SRS-25-90	54"	164				
	27"	26"	190SRS-27-90	190HSRS-27-90	20SRS-27-90	54"	172				
	31"	30"	190SRS-31-90	190HSRS-31-90	20SRS-31-90	66"	206				
	33"	32"	190SRS-33-90	190HSRS-33-90	20SRS-33-90	78"	48 1/2"	48"	215		
	37"	36"	190SRS-37-90	190HSRS-37-90	20SRS-37-90	78"	233				
	39"	38"	190SRS-39-90	190HSRS-39-90	20SRS-39-90	78"	242				

*4'0" inside radius. All others 2'8 1/2" inside radius.