

MODEL "254SR & 254SRC"

Gravity Roller Conveyor

STANDARD SPECIFICATIONS

Frames - 3 1/2" deep x 1 1/2" x 10 gauge painted steel with bolted cross members. Also available in 4" @ 5.4 pound structural channel frame, optional. Rollers set 1/4" high.

Rollers - 2 1/2" diameter x 14 gauge steel tubing with swaged ends to provide firm bearing seat. 2 1/2" to 1 11/16" tapered rollers available for curves.

Bearings - Labyrinth sealed and grease packed, replaceable.

Axles - 7/16" hex shaft, spring-loaded.

Couplings - Butt type, for bolting sections together.

Widths - From 13" between frames (B/F) and wider in two inch increments up to 27" between frames. Also 31", 33", 37", 39", 45", 51" and 55" between frames.

Lengths - 10' and 5' straight sections.

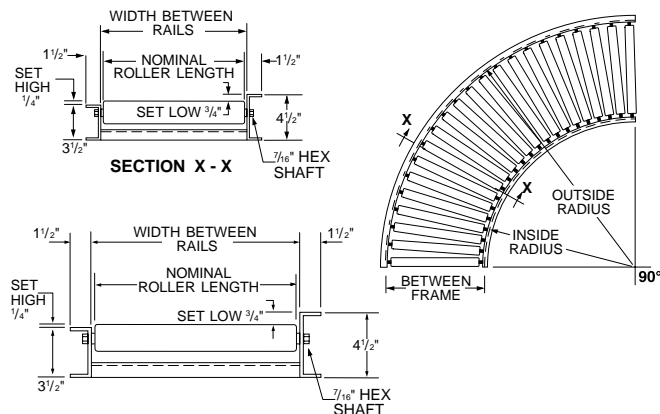
Curve Degree - 45° and 90° with 2'8 1/2" inside radius for widths up to 27" between frames. 4'0" inside radius for 31", 33", 37", and 39" between frames.

Capacity - 350 pounds per roller on narrow sizes, with 1,350 pounds maximum live load on 10' sections; 3,300 pounds maximum live load on 5' section.

CURVED SECTIONS - WEIGHTS

	Nominal Roller Length (Inches)	Width Between Frames (Inches)	Model No.	90° Weight (lbs.)	45° Weight (lbs.)
Single Rollers	12	13	254SRC-13-90S	119	61
	14	15	254SRC-15-90S	131	68
	16	17	254SRC-17-90S	144	73
	18	19	254SRC-19-90S	155	80
90° Curve	20	21	254SRC-21-90S	166	84
	22	23	254SRC-23-90D	199	101
Double Rollers	24	25	254SRC-25-90D	211	106
	26	27	254SRC-27-90D	223	112
37 Per 90° Curve	30*	31	254SRC-31-90D	262	134
	32*	33	254SRC-33-90D	275	140
36* Curve	36*	37	254SRC-37-90D	301	152
	38*	39	254SRC-39-90D	314	158
20T Rollers Per Curve	12	13	254SRC-13-90T	104	58
	14	15	254SRC-15-90T	115	63
	16	17	254SRC-17-90T	126	68
	18	19	254SRC-19-90T	139	75
	20	21	254SRC-21-90T	171	91
	22	23	254SRC-23-90T	182	96
32T Rollers Per Curve	24	25	254SRC-25-90T	208	109
	26	27	254SRC-27-90T	210	110
	30*	31	254SRC-31-90T	348	179
	32*	33	254SRC-33-90T	359	185
36* Curve	36*	37	254SRC-37-90T	381	197
	38*	39	254SRC-39-90T	420	215

*4'0" inside radius. All others 2'8 1/2" inside radius.



STRAIGHT SECTIONS - WEIGHTS

Nominal Roller Length	Width Between Frames	Model No.	Roller Centers (Inches)	10' Weight (lbs.)	5' Weight (lbs.)
12"	13"	254SR-13-3	3	230	128
		254SR-13-4 1/2	4 1/2	178	98
		254SR-13-6	6	134	83
		254SR-13-9	9	125	69
		254SR-13-12	12	110	59
14"	15"	254SR-15-3	3	250	137
		254SR-15-4 1/2	4 1/2	190	104
		254SR-15-6	6	160	87
		254SR-15-9	9	131	72
		254SR-15-12	12	114	62
16"	17"	254SR-17-3	3	268	146
		254SR-17-4 1/2	4 1/2	203	110
		254SR-17-6	6	169	92
		254SR-17-9	9	137	78
		254SR-17-12	12	119	64
18"	19"	254SR-19-3	3	287	156
		254SR-19-4 1/2	4 1/2	215	117
		254SR-19-6	6	178	97
		254SR-19-9	9	145	79
		254SR-19-12	12	124	67
20"	21"	254SR-21-3	3	307	166
		254SR-21-4 1/2	4 1/2	228	123
		254SR-21-6	6	178	101
		254SR-21-9	9	151	82
		254SR-21-12	12	128	69
22"	23"	254SR-23-3	3	325	175
		254SR-23-4 1/2	4 1/2	241	129
		254SR-23-6	6	198	106
		254SR-23-9	9	157	85
		254SR-23-12	12	133	72
24"	25"	254SR-25-3	3	344	184
		254SR-25-4 1/2	4 1/2	253	135
		254SR-25-6	6	208	111
		254SR-25-9	9	163	89
		254SR-25-12	12	138	73
26"	27"	254SR-27-3	3	364	190
		254SR-27-4 1/2	4 1/2	265	141
		254SR-27-6	6	217	115
		254SR-27-9	9	170	92
		254SR-27-12	12	142	76
30"	31"	254SR-31-3	3	402	213
		254SR-31-4 1/2	4 1/2	291	153
		254SR-31-6	6	233	125
		254SR-31-9	9	182	92
		254SR-31-12	12	153	81
32"	33"	254SR-33-3	3	421	223
		254SR-33-4 1/2	4 1/2	303	161
		254SR-33-6	6	245	129
		254SR-33-9	9	223	102
		254SR-33-12	12	157	84
36"	37"	254SR-37-3	3	459	241
		254SR-37-4 1/2	4 1/2	329	173
		254SR-37-6	6	264	140
		254SR-37-9	9	202	108
		254SR-37-12	12	167	88
38"	39"	254SR-39-3	3	477	251
		254SR-39-4 1/2	4 1/2	341	179
		254SR-39-6	6	274	143
		254SR-39-9	9	208	112
		254SR-39-12	12	171	90
44"	45"	254SR-45-3	3	534	278
		254SR-45-4 1/2	4 1/2	380	197
		254SR-45-6	6	303	160
		254SR-45-9	9	226	121
		254SR-45-12	12	186	96
50"	51"	254SR-51-3	3	591	305
		254SR-51-4 1/2	4 1/2	419	215
		254SR-51-6	6	331	176
		254SR-51-9	9	244	130
		254SR-51-12	12	201	102
54"	55"	254SR-55-3	3	629	323
		254SR-55-4 1/2	4 1/2	445	227
		254SR-55-6	6	350	187
		254SR-55-9	9	256	136
		254SR-55-12	12	211	106